

TU

454

504

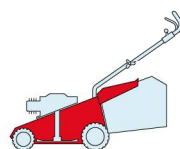
554

TR

TR-E

TR 4S

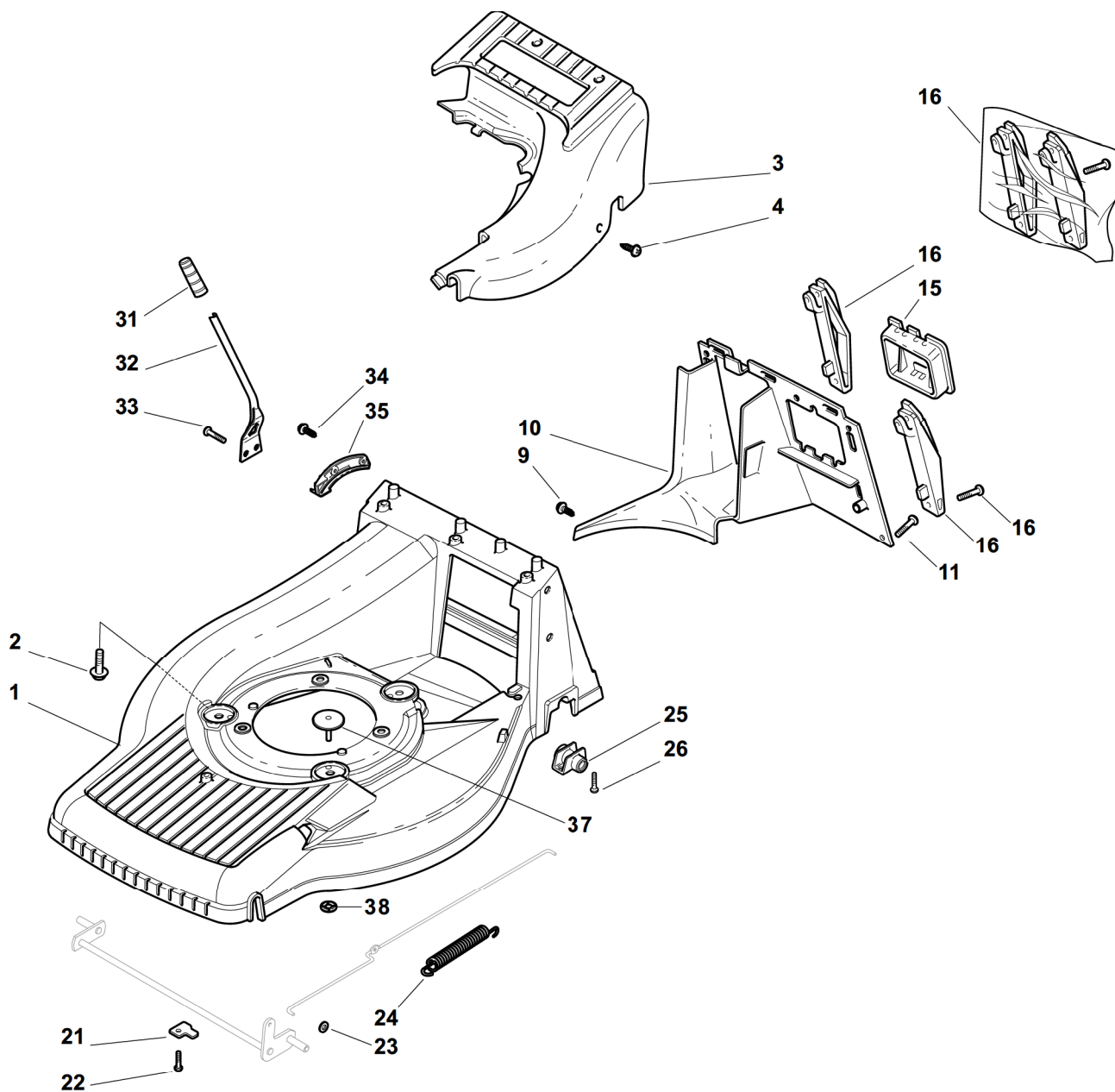
TR-E 4S



2009

56\_001

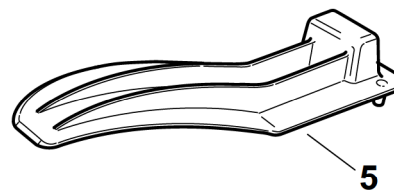
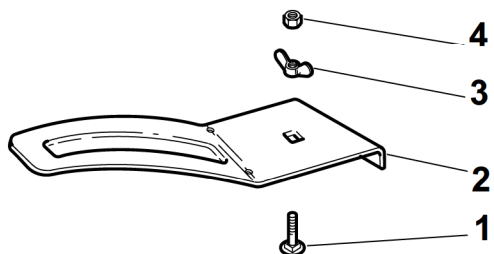
1 / 2



POS.	CODE	Q.TY	DESCRIZIONE	DESCRIPTION	DESCRIPTION	BESCHREIBUNG	REMARKS
1	381002656/1	1	Chassis Giallo	Deck Yellow	Châssis Jaune	Gehäuse Gelb	454
1	81002657/0	1	Chassis Giallo	Deck Yellow	Châssis Jaune	Gehäuse Gelb	504
1	81002660/0	1	Chassis Giallo	Deck Yellow	Châssis Jaune	Gehäuse Gelb	554
2	112735108/1	3	Vite	Screw	Vis	Schraube	
3	22060151/0	1	Carter, Giallo	Protection, Yellow	Protection, Jaune	Schutz, Gelb	454
3	22060152/0	1	Carter, Giallo	Protection, Yellow	Protection, Jaune	Schutz, Gelb	504
3	22060156/0	1	Carter, Giallo	Protection, Yellow	Protection, Jaune	Schutz, Gelb	554
3	22060154/0	1	Carter, Giallo	Protection, Yellow	Protection, Jaune	Schutz, Gelb	554 Avs
4	12728300/0	3	Vite	Screw	Vis	Schraube	
9	12728300/0	1	Vite	Screw	Vis	Schraube	
10	22108279/0	1	Convogl. Posteriore	Rear Conveyor Assy	Ens. Convoyeur Post.	Hinterleitblechsatz	454
10	22108276/0	1	Convogl. Posteriore	Rear Conveyor Assy	Ens. Convoyeur Post.	Hinterleitblechsatz	454 Mulching

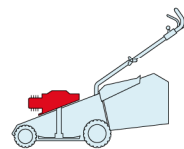
POS.	CODE	Q.TY	DESCRIZIONE	DESCRIPTION	DESCRIPTION	BESCHREIBUNG	REMARKS
10	22108277/0	1	Convogl. Posteriore	Rear Conveyor Assy	Ens. Convoyeur Post.	Hinterleitblechsatz	504 - 554
11	12735664/0	3	Vite	Screw	Vis	Schraube	
15	22109531/0	1	Coperchio	Cover	Couvercle	Deckel	
16	81008658/1	1	Dotazione Supporti	Outfit, Supports	Dotation Support	Satz, Halter	
21	22545160/0	2	Piastrina	Plate	Plaquette	Plättchen	
22	12735664/0	2	Vite	Screw	Vis	Schraube	
23	12604898/0	2	Fissatore A Corona	Crown Fastener	Fixateur A Couronne	Kronescheibe	
24	22446181/0	1	Molla	Spring	Ressort	Feder	
26	12735664/0	4	Vite	Screw	Vis	Schraube	
25	22785153/0	2	Supporto Gruppo Trazione	Support, Gear Box	Support Gr. Traction	Halter, Antrieb	
31	22399808/0	1	Manopolina	Knob	Poignée	Griff	
32	22321515/0	1	Leva Regolazione Altezza	Lever, Height Adjustment	Levier Reglage Hauteur	Hebel, Höneverstellung	
33	12735661/0	2	Vite	Screw	Vis	Schraube	
34	12728300/0	2	Vite	Screw	Vis	Schraube	
35	22735563/0	1	Settore Di Regolazione	Sector, Height Adjustment	Secteur Reglage	Sektor, Höneverstellung	
37	22820057/0	1	Tappo Nero	Cap	Bouchon	Gummistopfen	554 Avs
37	22820055/0	1	Tappo	Cap	Bouchon	Gummistopfen	554 Avs
38	12604899/0	1	Fissatore A Corona	Crown Fastener	Fixateur A Couronne	Kronescheibe	554 Avs

<b>TU</b>				2009
<b>454</b>	<b>504</b>	<b>554</b>		<b>56_002</b>
<b>TR</b>	<b>TR-E</b>	<b>TR 4S</b>	<b>TR-E 4S</b>	1 / 1

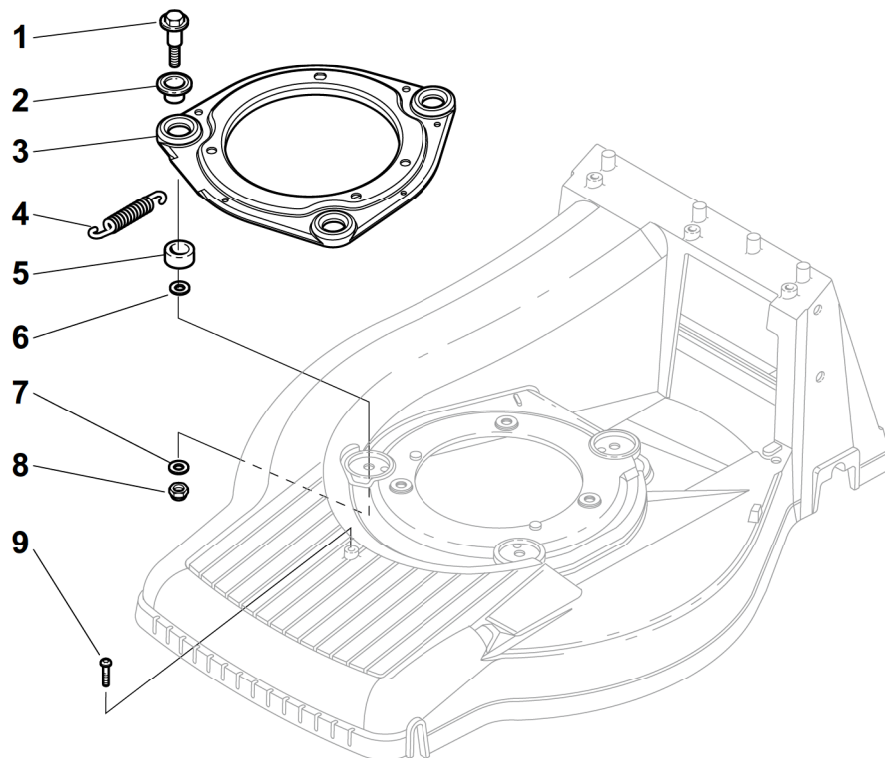


POS.	CODE	Q.TY	DESCRIZIONE	DESCRIPTION	DESCRIPTION	BESCHREIBUNG	REMARKS
1	12818690/0	1	Vite	Screw	Vis	Schraube	454
2	22140229/0	1	Deflettore	Deflector	Deflecteur	Deflektor	454
3	22399807/0	1	Manopolina	Knob	Poignée	Griff	454
4	12293200/0	1	Dado	Nut	Ecrou	Mutter	454
5	22140231/0	1	Deflettore	Deflector	Deflecteur	Deflektor	504
5	22140232/0	1	Deflettore	Deflector	Deflecteur	Deflektor	554

<b>TU</b>			
<b>454</b>	<b>504</b>	<b>554</b>	
<b>TR</b>	<b>TR-E</b>	<b>TR 4S</b>	<b>TR-E 4S</b>



2009
<b>56_003</b>
1 / 1



POS.	CODE	Q.TY	DESCRIZIONE	DESCRIPTION	DESCRIPTION	BESCHREIBUNG	REMARKS
1	22524329/0	3	Perno	Pin	Pivot	Bolzen	
2	22672201/0	3	Rosetta	Washer	Rondelle	Scheibe	
3	22207225/0	1	Flangia	Flange	Bride	Flansch	
4	22450445/0	1	Molla	Spring	Ressort	Feder	
5	22250012/0	3	Gommino	Grommet	Caoutchouc	Gummi	
6	22671651/0	3	Rosetta	Washer	Rondelle	Scheibe	
7	12523060/0	3	Rosetta	Washer	Rondelle	Scheibe	
8	12155000/0	3	Dado	Nut	Ecrou	Mutter	
9	12735661/0	1	Vite	Screw	Vis	Schraube	



TU

454

504

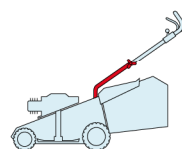
554

TR

TR-E

TR 4S

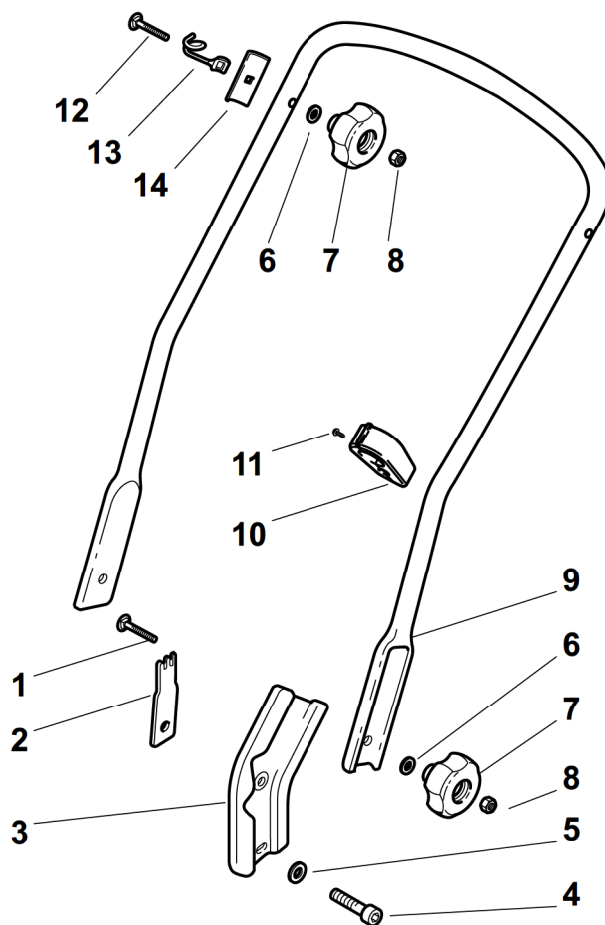
TR-E 4S



2009

56\_004

1 / 1



POS.	CODE	Q.TY	DESCRIZIONE	DESCRIPTION	DESCRIPTION	BESCHREIBUNG	REMARKS
1	12820655/0	2	Vite	Screw	Vis	Schraube	
2	22551635/0	1	Piastrina Fissaggio Manico	Plate For Handle	Plaquette Fixage Mancheron	Platte Holmbefestigung	
3	22778405/0	2	Supporto	Support	Support	Halter	
4	12760515/0	2	Vite	Screw	Vis	Schraube	
5	12521350/0	2	Rosetta	Washer	Rondelle	Scheibe	
6	12521350/0	4	Rosetta	Washer	Rondelle	Scheibe	
6	81002239/0	1	Sacco, Tela	Box, Fabric	Sac, Toile	Sack, Tuck	
7	22399810/0	4	Manopolina	Knob	Poignée	Griff	
8	12361005/0	4	Dado	Nut	Ecrou	Mutter	
9	81006612/0	1	Manico, Parte Inf	Handle, Lower Part	Mancheron, Partie Inferieure	Holm, Unterteil	454
9	81006613/0	1	Manico, Parte Inf	Handle, Lower Part	Mancheron, Partie Inferieure	Holm, Unterteil	504
10	22192001/0	1	Fascetta Ancoraggio	Anchor Clamp	Collier Ancre	Bowdenzughalter	
11	12728691/0	1	Vite	Screw	Vis	Schraube	
12	12820655/0	2	Vite	Screw	Vis	Schraube	
13	22430311/0	1	Molla Guida	Guide Spring	Ressort De Guide	Feder Führer	
14	22545137/0	2	Piastrina Fissaggio Manico	Plate For Handle Fastening	Plaquette Fixage Mancheron	Platte Holmbefestigung	

TU

454

504

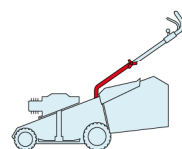
554

TR

TR-E

TR 4S

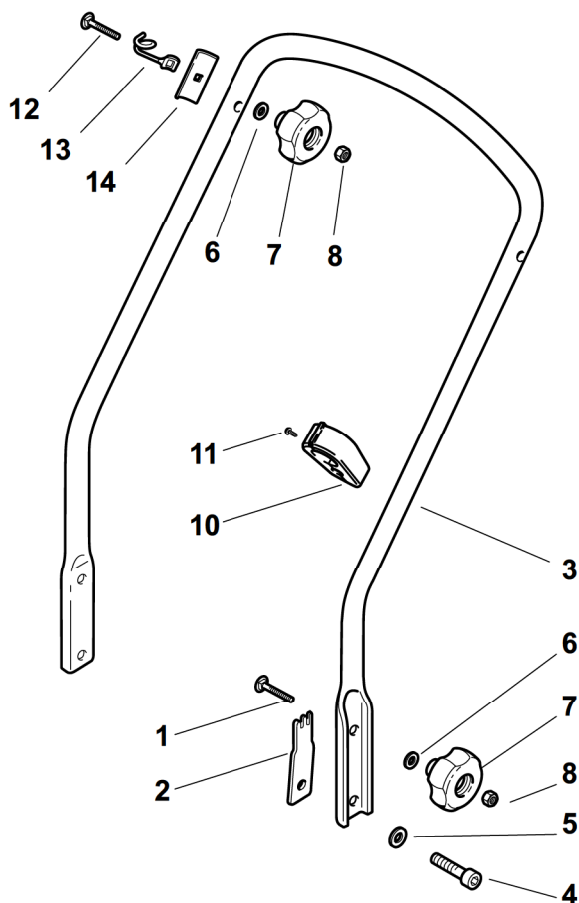
TR-E 4S



2009

56\_005

1 / 1



POS.	CODE	Q.TY	DESCRIZIONE	DESCRIPTION	DESCRIPTION	BESCHREIBUNG	REMARKS
1	12820655/0	2	Vite	Screw	Vis	Schraube	
2	22551635/0	2	Piastrina Fissaggio Manico	Plate For Handle Fastening	Plaquette Fixage Mancheron	Platte Holmbefestigung	
3	81006641/0	1	Manico, Parte Inf	Handle, Lower Part	Mancheron, Partie Inferieure	Holm, Unterteil	
4	12760515/0	2	Vite	Screw	Vis	Schraube	
5	12521350/0	2	Rosetta	Washer	Rondelle	Scheibe	
6	12521350/0	4	Rosetta	Washer	Rondelle	Scheibe	
7	22399810/0	4	Manopolina	Knob	Poignée	Griff	
8	12361005/0	4	Dado	Nut	Ecrou	Mutter	
12	12820655/0	2	Vite	Screw	Vis	Schraube	
13	22430311/0	1	Molla Guida	Guide Spring	Ressort De Guide	Feder Führer	
14	22545137/0	2	Piastrina Fissaggio Manico	Plate For Handle Fastening	Plaquette Fixage Mancheron	Platte Holmbefestigung	

TU

454

504

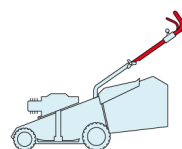
554

TR

TR-E

TR 4S

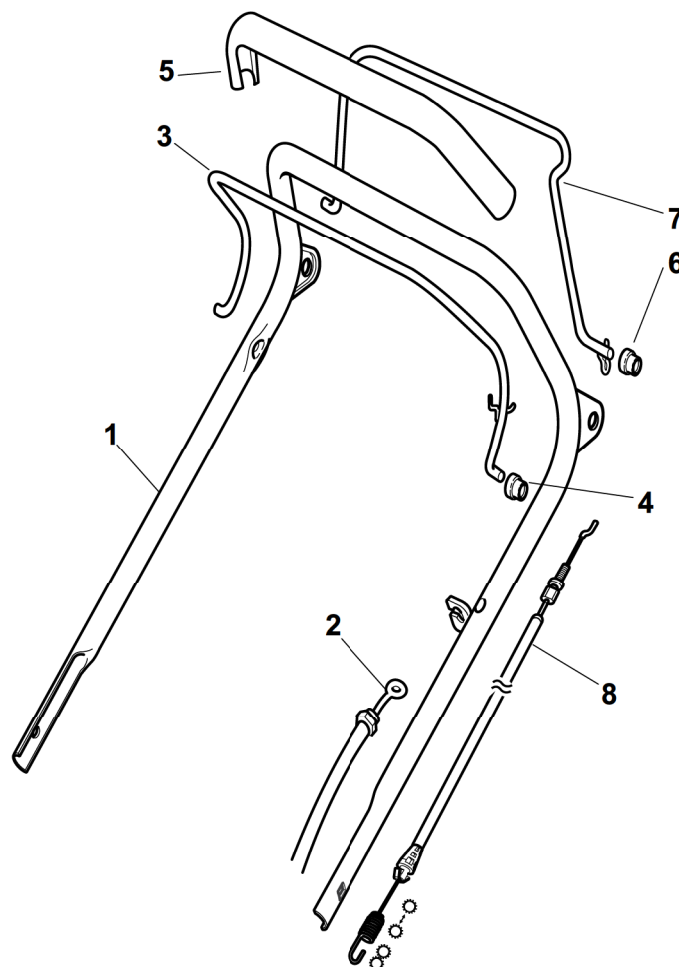
TR-E 4S



2009

56\_006

1 / 2



POS.	CODE	Q.TY	DESCRIZIONE	DESCRIPTION	DESCRIPTION	BESCHREIBUNG	REMARKS
1	81007024/0	1	Manico, Parte Sup	Handle, Upper Part	Mancheron, Partie Supérieure	Holm, Oberteil	
2	81000631/0	1	Cavo Freno Motore	Cable, Thread Engine Brake	Cable Frein Moteur	Kabel, Motorbremse	454 (B&S 450-500 Series)
2	81000634/0	1	Cavo Freno Motore	Cable, Thread Engine Brake	Cable Frein Moteur	Kabel, Motorbremse	454 (B&S 625-675 Series)
2	81000756/0	1	Cavo Freno Motore	Cable, Thread Engine Brake	Cable Frein Moteur	Kabel, Motorbremse	454 (Ggp 150cc)
2	81000634/0	1	Cavo Freno Motore	Cable, Thread Engine Brake	Cable Frein Moteur	Kabel, Motorbremse	454 (Ggp 140cc)
2	81000634/0	1	Cavo Freno Motore	Cable, Thread Engine Brake	Cable Frein Moteur	Kabel, Motorbremse	454 (Ggp 160cc)
2	81000634/0	1	Cavo Freno Motore	Cable, Thread Engine Brake	Cable Frein Moteur	Kabel, Motorbremse	454 (Honda Gcv 135-160-190)
2	81000634/0	1	Cavo Freno Motore	Cable, Thread Engine Brake	Cable Frein Moteur	Kabel, Motorbremse	504 (B&S 450-500 Series)
2	81000634/0	1	Cavo Freno Motore	Cable, Thread Engine Brake	Cable Frein Moteur	Kabel, Motorbremse	504 (B&S 625-675 Series)
2	81000756/0	1	Cavo Freno Motore	Cable, Thread Engine Brake	Cable Frein Moteur	Kabel, Motorbremse	504 (Ggp 150cc)
2	81000634/0	1	Cavo Freno Motore	Cable, Thread Engine Brake	Cable Frein Moteur	Kabel, Motorbremse	504 (Ggp 160cc)
2	81000634/0	1	Cavo Freno Motore	Cable, Thread Engine Brake	Cable Frein Moteur	Kabel, Motorbremse	504 (Ggp 196cc)
2	81000634/0	1	Cavo Freno Motore	Cable, Thread Engine Brake	Cable Frein Moteur	Kabel, Motorbremse	504 (Honda Gcv 135-160-190)
2	81000642/1	1	Cavo Freno Motore	Cable, Thread Engine Brake	Cable Frein Moteur	Kabel, Motorbremse	554 (B&S 625-675 Series)

POS.	CODE	Q.TY	DESCRIZIONE	DESCRIPTION	DESCRIPTION	BESCHREIBUNG	REMARKS
2	181030006/0	1	Cavo Freno Motore	Cable, Thread Engine Brake	Cable Frein Moteur	Kabel, Motorbremse	554 (B&S 700 Series)
2	81000642/1	1	Cavo Freno Motore	Cable, Thread Engine Brake	Cable Frein Moteur	Kabel, Motorbremse	554 (Ggp 140cc)
2	81000756/0	1	Cavo Freno Motore	Cable, Thread Engine Brake	Cable Frein Moteur	Kabel, Motorbremse	554 (Ggp 150cc)
2	81000642/1	1	Cavo Freno Motore	Cable, Thread Engine Brake	Cable Frein Moteur	Kabel, Motorbremse	554 (Ggp 160cc)
2	81000642/1	1	Cavo Freno Motore	Cable, Thread Engine Brake	Cable Frein Moteur	Kabel, Motorbremse	554 (Ggp 196cc)
2	81000642/1	1	Cavo Freno Motore	Cable, Thread Engine Brake	Cable Frein Moteur	Kabel, Motorbremse	554 (Honda Gcv 135-160-190)
3	81003291/3	1	Leva Freno Motore	Lever, Engine Brake	Levier Frein Moteur	Hebel, Motorbremse	
4	22041966/0	2	Bussola	Bush	Douille	Buchse	
5	22291050/0	1	Impugnatura Manico Nera	Handgrip Black	Poignée Noire	Handgriff Schwarz	
6	22041965/1	2	Bussola	Bush	Douille	Buchse	
7	81003288/1	1	Leva Trazione	Lever, Driving	Levier Traction	Hebel, Antrieb	
8	381030008/0	1	Cavo Comando Trazione	Cable, Rear Drive	Câble, Commande Traction	Kabel, Antrieb	

TU

454

504

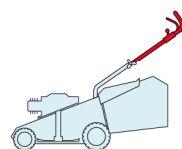
554

TR

TR-E

TR 4S

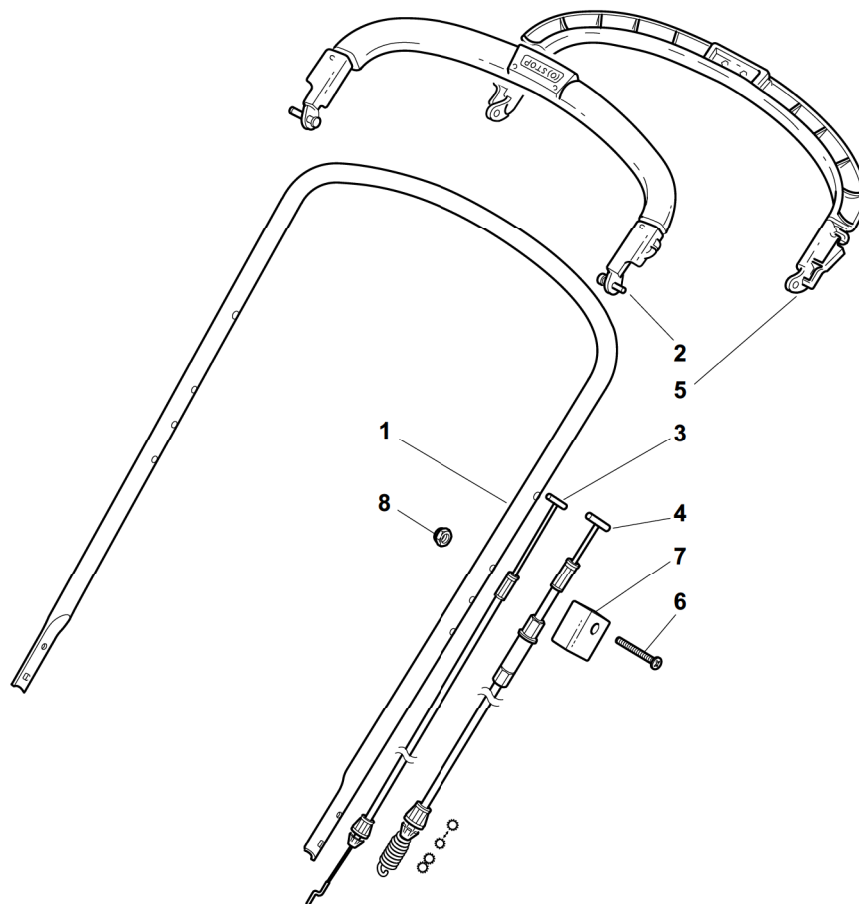
TR-E 4S



2009

56\_007

1 / 2



POS.	CODE	Q.TY	DESCRIZIONE	DESCRIPTION	DESCRIPTION	BESCHREIBUNG	REMARKS
1	81006616/1	1	Manico, Parte Sup	Handle, Upper Part	Mancheron, Partie Supérieure	Holm, Oberteil	454
1	81006618/1	1	Manico, Parte Sup	Handle, Upper Part	Mancheron, Partie Supérieure	Holm, Oberteil	504 - 554
2	81003298/1	1	Leva Freno Motore	Lever, Engine Brake	Levier Frein Moteur	Hebel, Motorbremse	
3	81000685/0	1	Cavo Freno Motore	Cable, Thread Engine Brake	Cable Frein Moteur	Kabel, Motorbremse	454 (B&S 450-500 Series)
3	81000685/0	1	Cavo Freno Motore	Cable, Thread Engine Brake	Cable Frein Moteur	Kabel, Motorbremse	454 (B&S 625-675 Series)
3	81000707/0	1	Cavo Freno Motore	Cable, Thread Engine Brake	Cable Frein Moteur	Kabel, Motorbremse	454 (Ggp 150cc)
3	81000685/0	1	Cavo Freno Motore	Cable, Thread Engine Brake	Cable Frein Moteur	Kabel, Motorbremse	454 (Ggp 140cc)
3	81000685/0	1	Cavo Freno Motore	Cable, Thread Engine Brake	Cable Frein Moteur	Kabel, Motorbremse	454 (Ggp 160cc)
3	81000685/0	1	Cavo Freno Motore	Cable, Thread Engine Brake	Cable Frein Moteur	Kabel, Motorbremse	454 (Honda Gcv 135-160-190)
3	81000686/0	1	Cavo Freno Motore	Cable, Thread Engine Brake	Cable Frein Moteur	Kabel, Motorbremse	504 (B&S 450-500 Series)
3	81000688/0	1	Cavo Freno Motore	Cable, Thread Engine Brake	Cable Frein Moteur	Kabel, Motorbremse	504 (B&S 625-675 Series)
3	181000777/0	1	Cavo Freno Motore	Cable, Thread Engine Brake	Cable Frein Moteur	Kabel, Motorbremse	504 (Ggp 150cc)
3	81000688/0	1	Cavo Freno Motore	Cable, Thread Engine Brake	Cable Frein Moteur	Kabel, Motorbremse	504 (Ggp 140cc)
3	81000688/0	1	Cavo Freno Motore	Cable, Thread Engine Brake	Cable Frein Moteur	Kabel, Motorbremse	504 (Ggp 160cc)
3	81000688/0	1	Cavo Freno Motore	Cable, Thread Engine Brake	Cable Frein Moteur	Kabel, Motorbremse	504 (Ggp 196cc)
3	81000687/0	1	Cavo Freno Motore	Cable, Thread Engine Brake	Cable Frein Moteur	Kabel, Motorbremse	504 (Honda Gcv 135-160-190)

POS.	CODE	Q.TY	DESCRIZIONE	DESCRIPTION	DESCRIPTION	BESCHREIBUNG	REMARKS
3	81000688/0	1	Cavo Freno Motore	Cable, Thread Engine Brake	Cable Frein Moteur	Kabel, Motorbremse	554 (B&S 625-675 Series)
3	181000777/0	1	Cavo Freno Motore	Cable, Thread Engine Brake	Cable Frein Moteur	Kabel, Motorbremse	554 (B&S 700 Series)
3	81000688/0	1	Cavo Freno Motore	Cable, Thread Engine Brake	Cable Frein Moteur	Kabel, Motorbremse	554 (Ggp 140cc)
3	181000777/0	1	Cavo Freno Motore	Cable, Thread Engine Brake	Cable Frein Moteur	Kabel, Motorbremse	554 (Ggp 150cc)
3	81000688/0	1	Cavo Freno Motore	Cable, Thread Engine Brake	Cable Frein Moteur	Kabel, Motorbremse	554 (Ggp 160cc)
3	81000688/0	1	Cavo Freno Motore	Cable, Thread Engine Brake	Cable Frein Moteur	Kabel, Motorbremse	554 (Ggp 196cc)
3	81000688/0	1	Cavo Freno Motore	Cable, Thread Engine Brake	Cable Frein Moteur	Kabel, Motorbremse	554 (Honda Gcv 135-160-190)
4	81000697/0	1	Cavo Comando Trazione	Cable, Rear Drive	Câble, Commande Traction	Kabel, Antrieb	
5	81003297/1	1	Leva Trazione	Driving Lever	Levier Traction	Antriebhebel	
6	12727783/0	1	Vite	Screw	Vis	Schraube	
7	22551640/0	1	Piastrina	Plate	Plaquette	Plättchen	
8	12154510/0	1	Dado	Nut	Ecrou	Mutter	

TU

454

504

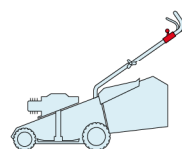
554

TR

TR-E

TR 4S

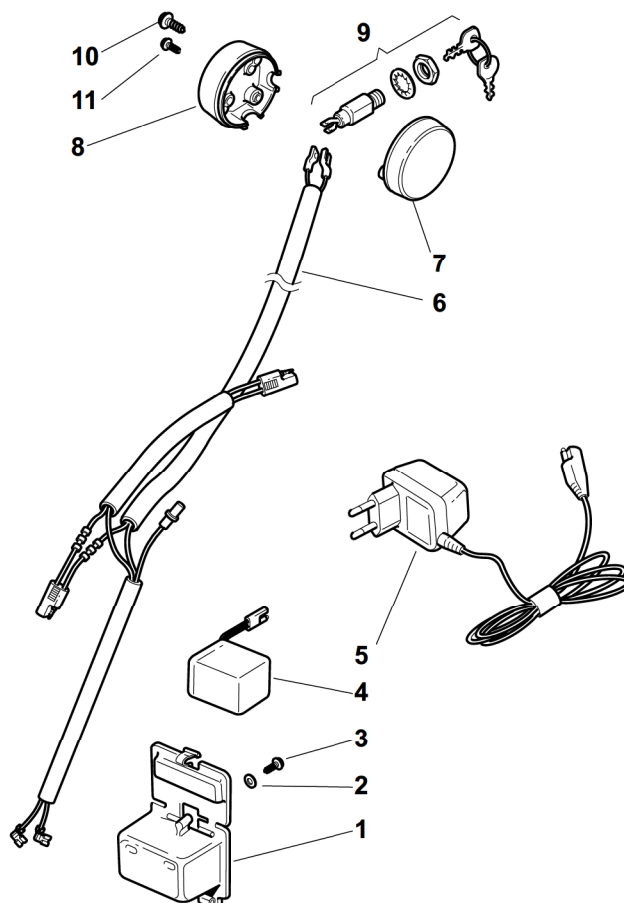
TR-E 4S



2009

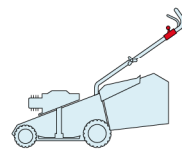
56\_008

1 / 1

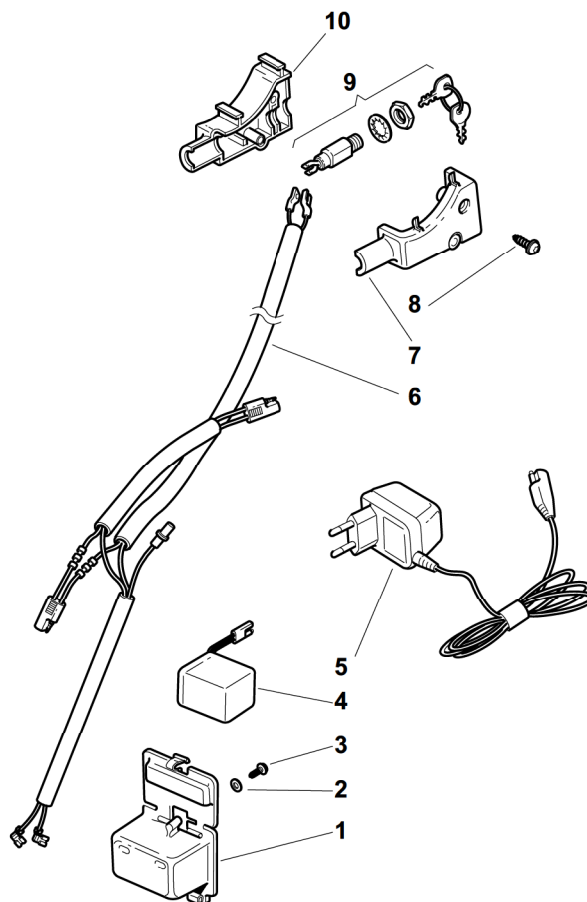


POS.	CODE	Q.TY	DESCRIZIONE	DESCRIPTION	DESCRIPTION	BESCHREIBUNG	REMARKS
1	22109533/0	1	Contenitore Batteria	Battery Box	Conteneur De Batterie	Batterie Behälter	
2	12523040/0	1	Rosetta	Washer	Rondelle	Scheibe	
3	12728691/0	1	Vite	Screw	Vis	Schraube	
4	18120052/0	1	Batteria	Battery	Batterie	Batterie	
5	18204120/0	1	Carica Batteria	Battery Charger	Chargeur De Batterie	Ladgerät	
5	18204121/0	1	Carica Batteria	Battery Charger	Chargeur De	Ladgerät	(Uk)
6	18204195/0	1	Cavo Avviamento	Cable, Start	Cable Démarrage	Kabel, Start	
7	22722801/0	1	Protezione Sx	L Protection	Protection G	Linke Schutz	
8	22722800/0	1	Protezione Dx	R Protection	Protection D	Rechte Schutz	
9	18450050/0	1	Interruttore	Switch	Interrupteur	Schalter	
10	12728702/0	2	Vite	Screw	Vis	Schraube	
11	12728691/0	1	Vite	Screw	Vis	Schraube	

<b>TU</b>			
<b>454</b>	<b>504</b>	<b>554</b>	
<b>TR</b>	<b>TR-E</b>	<b>TR 4S</b>	<b>TR-E 4S</b>



2009
<b>56_009</b>
1 / 1



POS.	CODE	Q.TY	DESCRIZIONE	DESCRIPTION	DESCRIPTION	BESCHREIBUNG	REMARKS
1	22109533/0	1	Contenitore Batteria	Battery Box	Conteneur De Batterie	Batterie Behälter	
2	12523040/0	1	Rosetta	Washer	Rondelle	Scheibe	
3	12728691/0	1	Vite	Screw	Vis	Schraube	
4	18120052/0	1	Batteria	Battery	Batterie	Batterie	
5	18204120/0	1	Carica Batteria	Battery Charger	Chargeur De Batterie	Ladgerät	
5	18204121/0	1	Carica Batteria	Battery Charger	Chargeur De	Ladgerät	(UK)
6	18204195/0	1	Cavo Avviamento	Cable, Start	Cable Démarrage	Kabel, Start	
7	22722805/1	1	Protezione Sx	L Protection	Protection G	Linke Schutz	
8	12728300/0	1	Vite	Screw	Vis	Schraube	
9	18450050/0	1	Interruttore	Switch	Interrupteur	Schalter	
10	22722804/1	1	Protezione Dx	R Protection	Protection D	Rechte Schutz	



TU

454

504

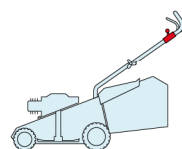
554

TR

TR-E

TR 4S

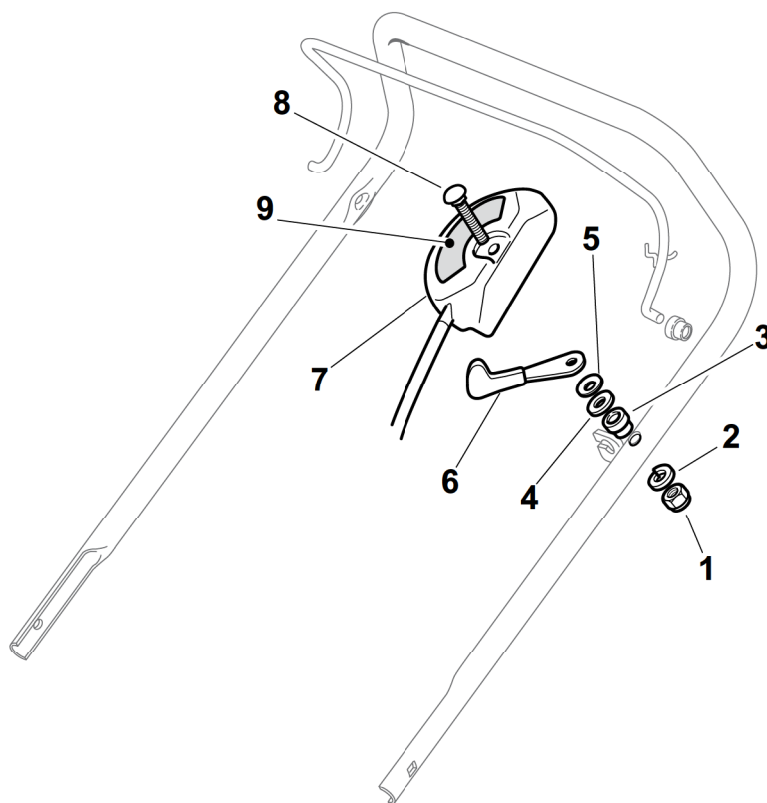
TR-E 4S



2009

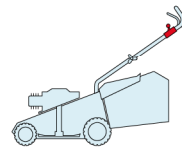
56\_010

1 / 1

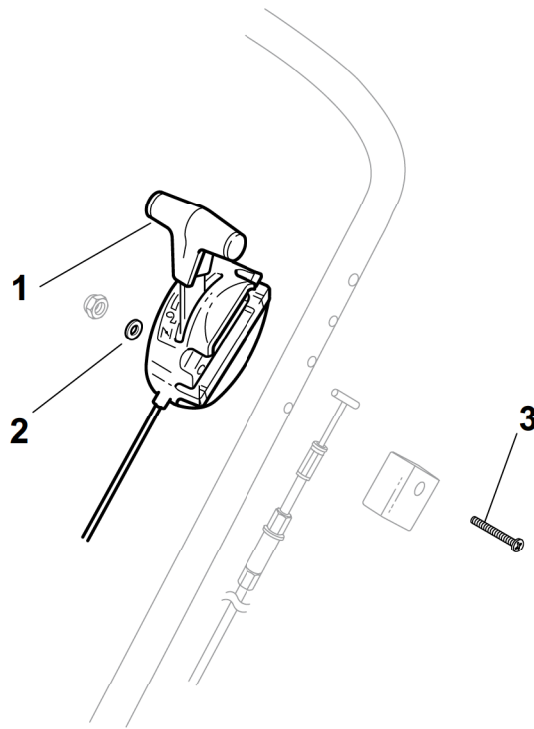


POS.	CODE	Q.TY	DESCRIZIONE	DESCRIPTION	DESCRIPTION	BESCHREIBUNG	REMARKS
1	12291000/0	1	Dado	Nut	Ecrou	Mutter	
2	12581500/0	1	Grower	Grower	Grower	Federring	
3	22171005/0	1	Distanziale	Spacer	Entretoise	Distanzring	
4	12521360/0	1	Rosetta	Washer	Rondelle	Scheibe	
5	12508100/0	1	Rosetta Elastica	Spring Washer	Rondelle Elastique	Elastische Scheibe	
6	81007279/1	1	Leva, Acceleratore	Lever, Throttle	Levier, Accelérateur	Hebel, Beschleuniger	(B&S 625-675-700 Series - Honda - Ggp 140-160-196 cc)
6	81007220/0	1	Leva, Acceleratore	Lever, Throttle	Levier, Accelérateur	Hebel, Beschleuniger	(B&S 450-500 Series - Ggp 150 cc)
7	81007080/0	1	Cavo Acceleratore	Throttle Cable	Cable, Accelérateur	Gashebel Kabel	
8	12815000/0	1	Vite	Screw	Vis	Schraube	
9	14356703/0	1	Etichetta	Label	Etiquette	Etikette	(B&S)
9	114356905/0	1	Etichetta	Label	Etiquette	Etikette	(B&S 700 series DOV)
9	14356702/0	1	Etichetta	Label	Etiquette	Etikette	(GGP)
9	114364264/0	1	Etichetta	Label	Etiquette	Etikette	AVS (GGP 160-196)
9	14356702/0	1	Etichetta	Label	Etiquette	Etikette	(Honda)
9	114356905/0	1	Etichetta	Label	Etiquette	Etikette	(Honda GCV 160-190 Autochoke)

<b>TU</b>			
<b>454</b>	<b>504</b>	<b>554</b>	
<b>TR</b>	<b>TR-E</b>	<b>TR 4S</b>	<b>TR-E 4S</b>



2009
<b>56_011</b>
1 / 1



POS.	CODE	Q.TY	DESCRIZIONE	DESCRIPTION	DESCRIPTION	BESCHREIBUNG	REMARKS
1	81007128/0	1	Cavo Acceleratore	Throttle Cable	Cable, Accelérateur	Gashebel Kabel	(B&S)
1	81007126/0	1	Cavo Acceleratore	Throttle Cable	Cable, Accelérateur	Gashebel Kabel	(Honda)
2	12523040/0	1	Rosetta	Washer	Rondelle	Scheibe	
3	12727787/0	1	Vite	Screw	Vis	Schraube	

TU

454

504

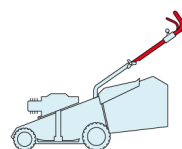
554

TR

TR-E

TR 4S

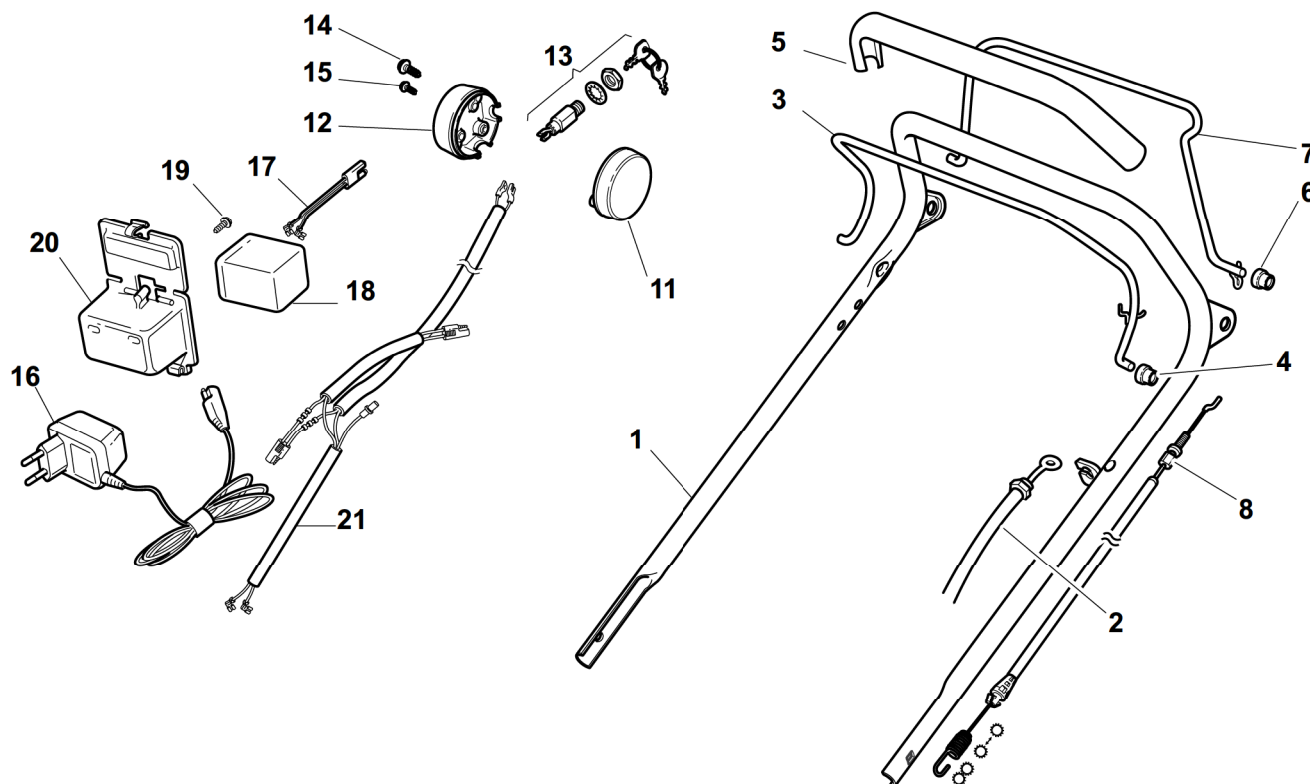
TR-E 4S



2009

56\_012

1 / 2



POS.	CODE	Q.TY	DESCRIZIONE	DESCRIPTION	DESCRIPTION	BESCHREIBUNG	REMARKS
1	81006863/0	1	Manico, Parte Sup	Handle, Upper Part	Mancheron, Partie Supérieure	Holm, Oberteil	
2	81000631/0	1	Cavo Freno Motore	Cable, Thread Engine Brake	Cable Frein Moteur	Kabel, Motorbremse	454 (B&S 450-500 Series)
2	81000634/0	1	Cavo Freno Motore	Cable, Thread Engine Brake	Cable Frein Moteur	Kabel, Motorbremse	454 (B&S 625-675 Series)
2	81000756/0	1	Cavo Freno Motore	Cable, Thread Engine Brake	Cable Frein Moteur	Kabel, Motorbremse	454 (Ggp 150cc)
2	81000634/0	1	Cavo Freno Motore	Cable, Thread Engine Brake	Cable Frein Moteur	Kabel, Motorbremse	454 (Ggp 140cc)
2	81000634/0	1	Cavo Freno Motore	Cable, Thread Engine Brake	Cable Frein Moteur	Kabel, Motorbremse	454 (Ggp 160cc)
2	81000634/0	1	Cavo Freno Motore	Cable, Thread Engine Brake	Cable Frein Moteur	Kabel, Motorbremse	454 (Honda Gcv 135-160-190)
2	81000634/0	1	Cavo Freno Motore	Cable, Thread Engine Brake	Cable Frein Moteur	Kabel, Motorbremse	504 (B&S 450-500 Series)
2	81000634/0	1	Cavo Freno Motore	Cable, Thread Engine Brake	Cable Frein Moteur	Kabel, Motorbremse	504 (B&S 625-675 Series)
2	81000756/0	1	Cavo Freno Motore	Cable, Thread Engine Brake	Cable Frein Moteur	Kabel, Motorbremse	504 (Ggp 150cc)
2	81000634/0	1	Cavo Freno Motore	Cable, Thread Engine Brake	Cable Frein Moteur	Kabel, Motorbremse	504 (Ggp 160cc)
2	81000634/0	1	Cavo Freno Motore	Cable, Thread Engine Brake	Cable Frein Moteur	Kabel, Motorbremse	504 (Ggp 196cc)
2	81000634/0	1	Cavo Freno Motore	Cable, Thread Engine Brake	Cable Frein Moteur	Kabel, Motorbremse	504 (Honda Gcv 135-160-190)
2	81000642/1	1	Cavo Freno Motore	Cable, Thread Engine Brake	Cable Frein Moteur	Kabel, Motorbremse	554 (B&S 625-675 Series)
2	181030006/0	1	Cavo Freno Motore	Cable, Thread Engine Brake	Cable Frein Moteur	Kabel, Motorbremse	554 (B&S 700 Series)
2	81000642/1	1	Cavo Freno Motore	Cable, Thread Engine Brake	Cable Frein Moteur	Kabel, Motorbremse	554 (Ggp 140cc)
2	81000756/0	1	Cavo Freno Motore	Cable, Thread Engine Brake	Cable Frein Moteur	Kabel, Motorbremse	554 (Ggp 150cc)
2	81000642/1	1	Cavo Freno Motore	Cable, Thread Engine Brake	Cable Frein Moteur	Kabel, Motorbremse	554 (Ggp 160cc)

POS.	CODE	Q.TY	DESCRIZIONE	DESCRIPTION	DESCRIPTION	BESCHREIBUNG	REMARKS
2	81000642/1	1	Cavo Freno Motore	Cable, Thread Engine Brake	Cable Frein Moteur	Kabel, Motorbremse	554 (Ggp 196cc)
2	81000642/1	1	Cavo Freno Motore	Cable, Thread Engine Brake	Cable Frein Moteur	Kabel, Motorbremse	554 (Honda Gcv 135-160-190)
3	81003291/3	1	Leva Freno Motore	Lever, Engine Brake	Levier Frein Moteur	Hebel, Motorbremse	
4	22041966/0	2	Bussola	Bush	Douille	Buchse	
5	22291050/0	1	Impugnatura Manico Nera	Handgrip Black	Poignée Noire	Handgriff Schwarz	
6	22041965/1	2	Bussola	Bush	Douille	Buchse	
7	81003288/1	1	Leva Trazione	Lever, Driving	Levier Traction	Hebel, Antrieb	
8	381030008/0	1	Cavo Comando Trazione	Cable, Rear Drive	Câble, Commande Traction	Kabel, Antrieb	
11	22722801/0	1	Protezione Sx	L Protection	Protection G	Linke Schutz	
12	22722800/0	1	Protezione Dx	R Protection	Protection D	Rechte Schutz	
13	18450050/0	1	Interruttore	Switch	Interrupteur	Schalter	
14	12728300/0	2	Vite	Screw	Vis	Schraube	
15	12728691/0	1	Vite	Screw	Vis	Schraube	
16	18204120/0	1	Carica Batteria	Battery Charger	Chargeur De Batterie	Ladgerät	
17	18204121/0	1	Carica Batteria	Battery Charger	Chargeur De	Ladgerät	(Uk)
18	122063002/2	1	Cavo Avviamento	Cable, Start	Cable Démarrage	Kabel, Start	
19	18120053/0	1	Batteria	Battery	Batterie	Batterie	
20	12728691/0	1	Vite	Screw	Vis	Schraube	
21	22109533/0	1	Contenitore Batteria	Battery Box	Conteneur De Batterie	Batterie Behälter	
22	18204196/0	1	Cavo Avviamento	Cable, Start	Cable Démarrage	Kabel, Start	

TU

454

504

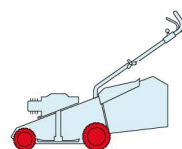
554

TR

TR-E

TR 4S

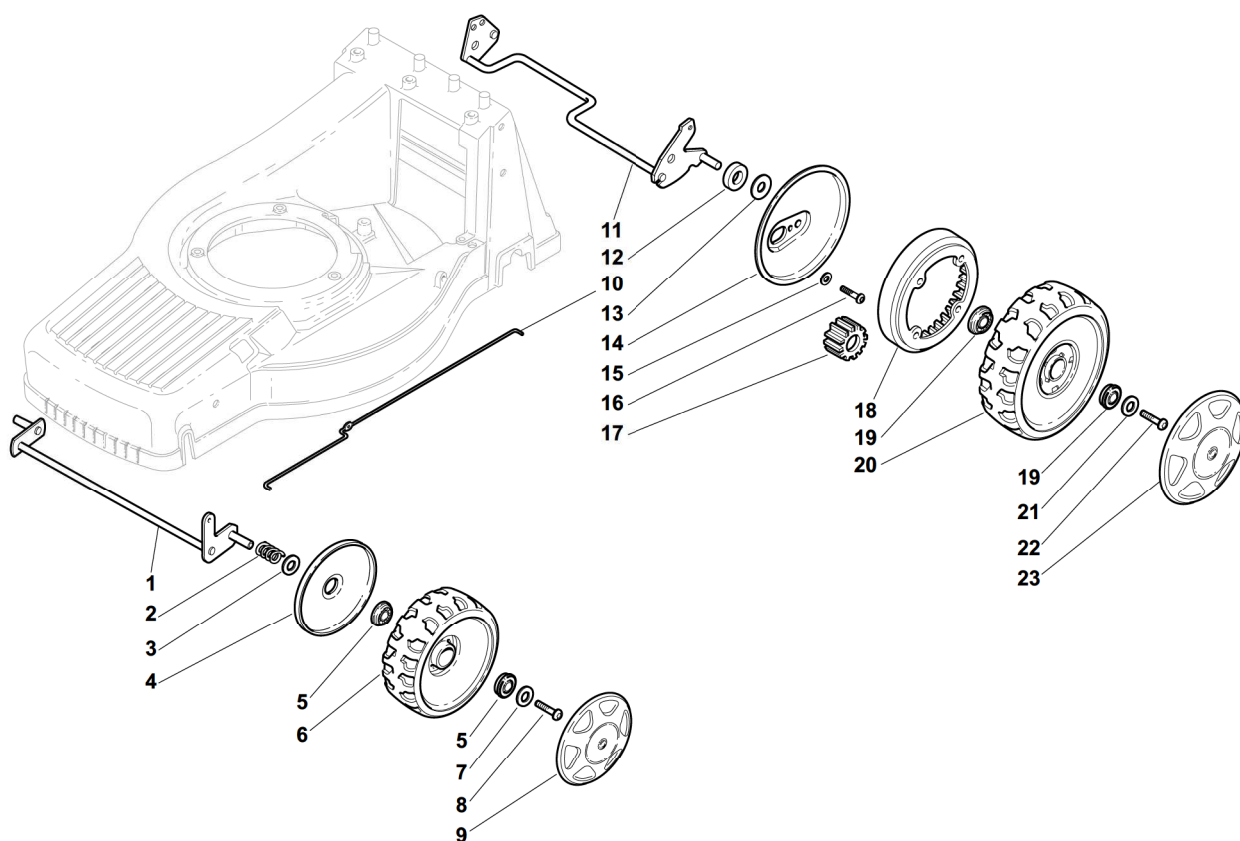
TR-E 4S



2009

56\_013

1 / 1



POS.	CODE	Q.TY	DESCRIZIONE	DESCRIPTION	DESCRIPTION	BESCHREIBUNG	REMARKS
1	81002843/0	1	Asse Ruote Anteriore	Axle, Front Wheels	Axe Roues Avant	Achse, Vorderrad	454
2	22430215/0	2	Molla	Spring	Ressort	Feder	
3	12521370/0	2	Rosetta	Washer	Rondelle	Scheibe	
4	22600095/0	2	Prot. Ruote	Protection, Wheel	Protection Roue	Schütz, Räder	
5	22122200/0	4	Cuscinetto	Bearing	Coussinet	Lager	
6	22686091/1	2	Ruota Ø 165	Wheel Ø 165	Roue Ø 165	Rad Ø 165	
7	12521460/0	2	Rosetta	Washer	Rondelle	Scheibe	
8	12735662/0	2	Vite	Screw	Vis	Schraube	
9	-	2	Coprismozzo	Hub Cap	Couvre-Moyeu	Radkappe	(See Enclosure 1)
10	22033321/0	1	Asta Comando Regol.	Rod, Height Adjustment Control	Tige Commande Reglage Hauteur	Stange, Höhenverstellung	454
11	81002841/0	1	Asse Ruote Posteriore	Axle, Rear Wheels	Axe Roues Arriere	Achse, Hinterrad	454
12	22170815/0	2	Distanziale	Spacer	Entretoise	Distanzring	
13	22675100/0	2	Rosetta	Washer	Rondelle	Scheibe	
14	22600121/0	2	Prot. Ruote	Protection, Wheel	Protection Roue	Schütz, Räder	
15	12521460/0	2	Rosetta	Washer	Rondelle	Scheibe	
16	12735662/0	2	Vite	Screw	Vis	Schraube	
17	22570125/0	2	Pignone	Pinion	Pignon	Ritzel	
18	22120109/0	2	Corona Trascinamento	Ring Gear	Couronne	Kranz	
19	22122200/0	4	Cuscinetto	Bearing	Coussinet	Lager	
20	22686093/0	2	Ruota Ø 190	Wheel Ø 190	Roue Ø190	Rad Ø 190	
21	12521460/0	2	Rosetta	Washer	Rondelle	Scheibe	
22	12735662/0	2	Vite	Screw	Vis	Schraube	
23	-	2	Coprismozzo	Hub Cap	Couvre-Moyeu	Radkappe	(See Enclosure 2)

TU

454

504

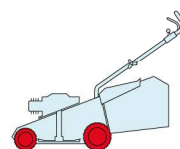
554

TR

TR-E

TR 4S

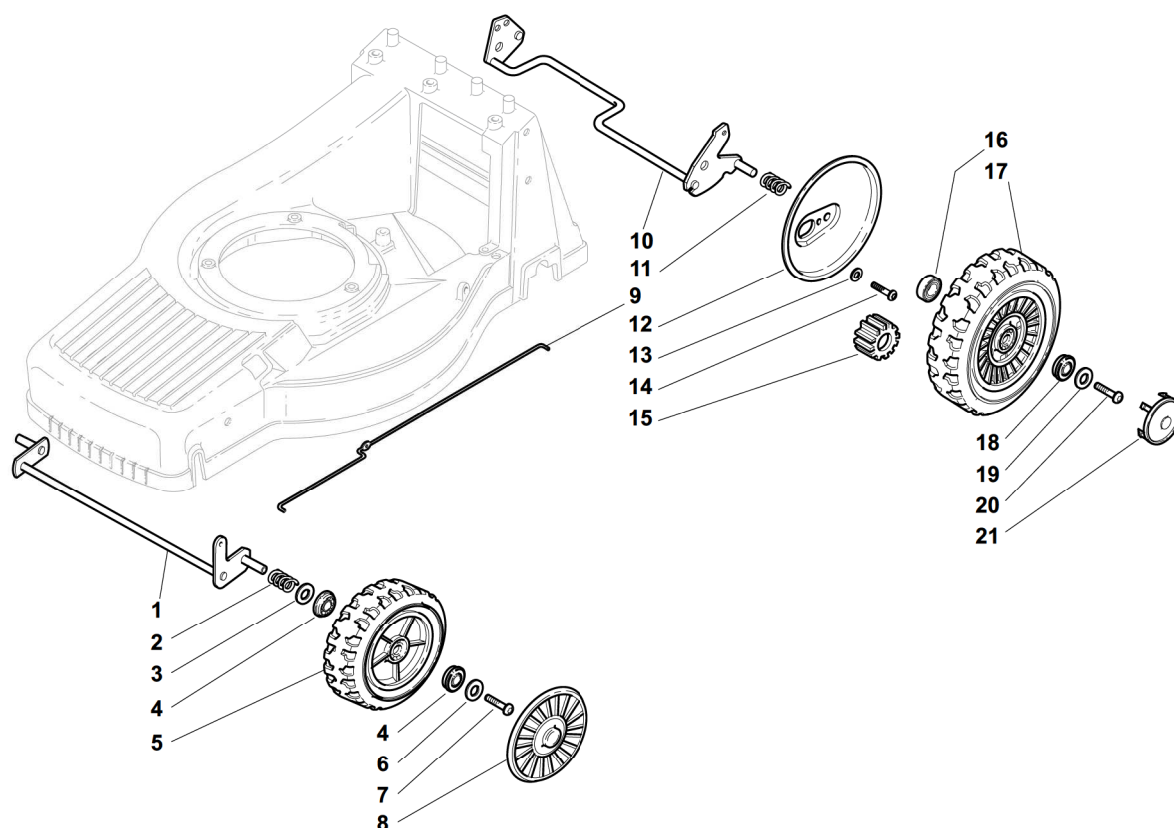
TR-E 4S



2009

56\_014

1 / 1



POS.	CODE	Q.TY	DESCRIZIONE	DESCRIPTION	DESCRIPTION	BESCHREIBUNG	REMARKS
1	81002845/0	1	Asse Ruote Anteriore	Axle, Front Wheels	Axe Roues Avant	Achse, Vorderrad	504
1	81002847/0	1	Asse Ruote Anteriore	Axle, Front Wheels	Axe Roues Avant	Achse, Vorderrad	554
2	22430210/0	2	Molla	Spring	Ressort	Feder	
3	12521370/0	2	Rosetta	Washer	Rondelle	Scheibe	
4	22122200/0	4	Cuscinetto	Bearing	Coussinet	Lager	
5	81007351/0	2	Ruota Ø 170	Wheel Ø 170	Roue Ø 170	Rad Ø 170	
6	12521460/0	2	Rosetta	Washer	Rondelle	Scheibe	
7	12735662/0	2	Vite	Screw	Vis	Schraube	
8	-	2	Coprismozzo	Hub Cap	Couvre-Moyeu	Radkappe	(See Enclosure 1)
9	22033322/0	1	Asta Comando Regol.	Rod, Height Adjustment Control	Tige Commande Reglage Hauteur	Stange, Höheverstellung	504
9	22033323/0	1	Asta Comando Regol.	Rod, Height Adjustment Control	Tige Commande Reglage Hauteur	Stange, Höheverstellung	554
10	81002823/0	1	Asse Ruote Posteriore	Axle, Rear Wheels	Axe Roues Arriere	Achse, Hinterrad	
11	22430215/0	2	Molla	Spring	Ressort	Feder	
12	22600121/0	2	Prot. Ruote	Protection, Wheel	Protection Roue	Schütz, Räder	
13	12521460/0	2	Rosetta	Washer	Rondelle	Scheibe	
14	12735662/0	2	Vite	Screw	Vis	Schraube	
15	22570125/0	2	Pignone	Pinion	Pignon	Ritzel	
16	19216038/0	2	Cuscinetto	Bearing	Coussinet	Lager	554
17	81007361/0	2	Ruota Ø 190	Wheel Ø 190	Roue Ø 190	Rad Ø 190	504
17	81007362/0	2	Ruota Ø 215	Wheel Ø 215	Roue Ø 215	Rad Ø 215	554
18	22122201/0	4	Cuscinetto	Bearing	Coussinet	Lager	504
18	22122201/0	2	Cuscinetto	Bearing	Coussinet	Lager	554
19	12521460/0	2	Rosetta	Washer	Rondelle	Scheibe	
20	12735662/0	2	Vite	Screw	Vis	Schraube	
21	22110384/0	2	Coprismozzo	Hub Cap	Couvre-Moyeu	Radkappe	



TU

454

504

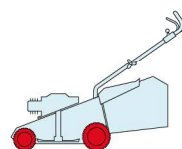
554

TR

TR-E

TR 4S

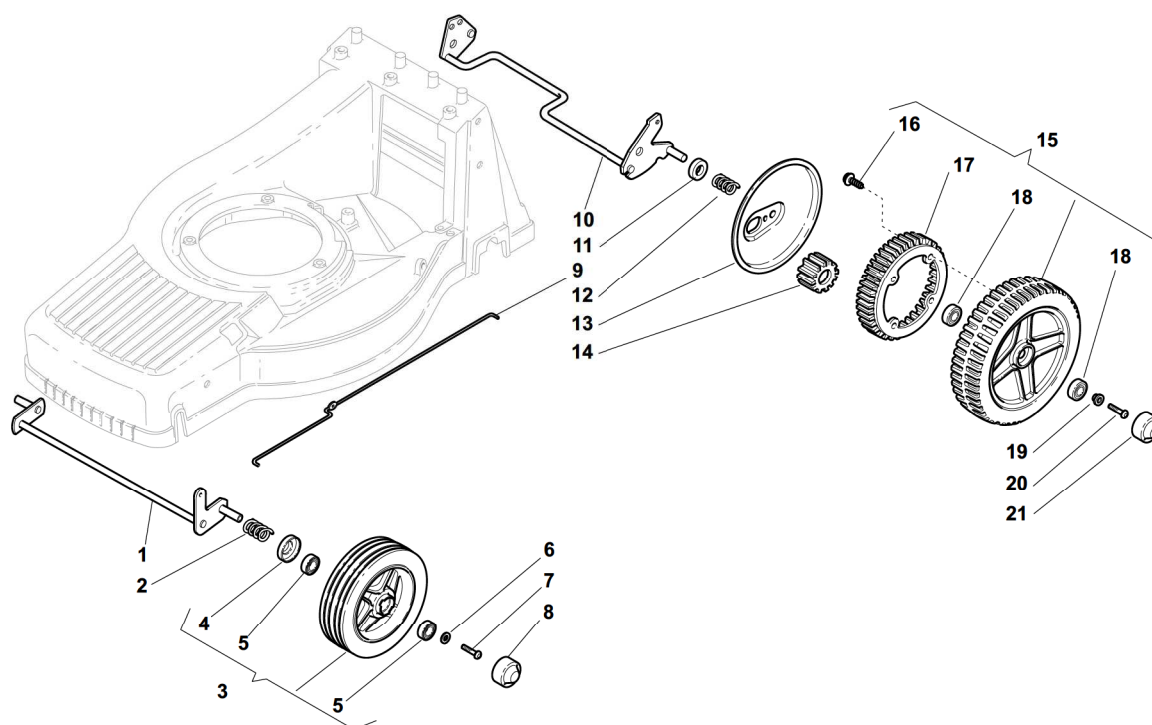
TR-E 4S



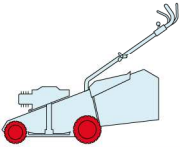
2009

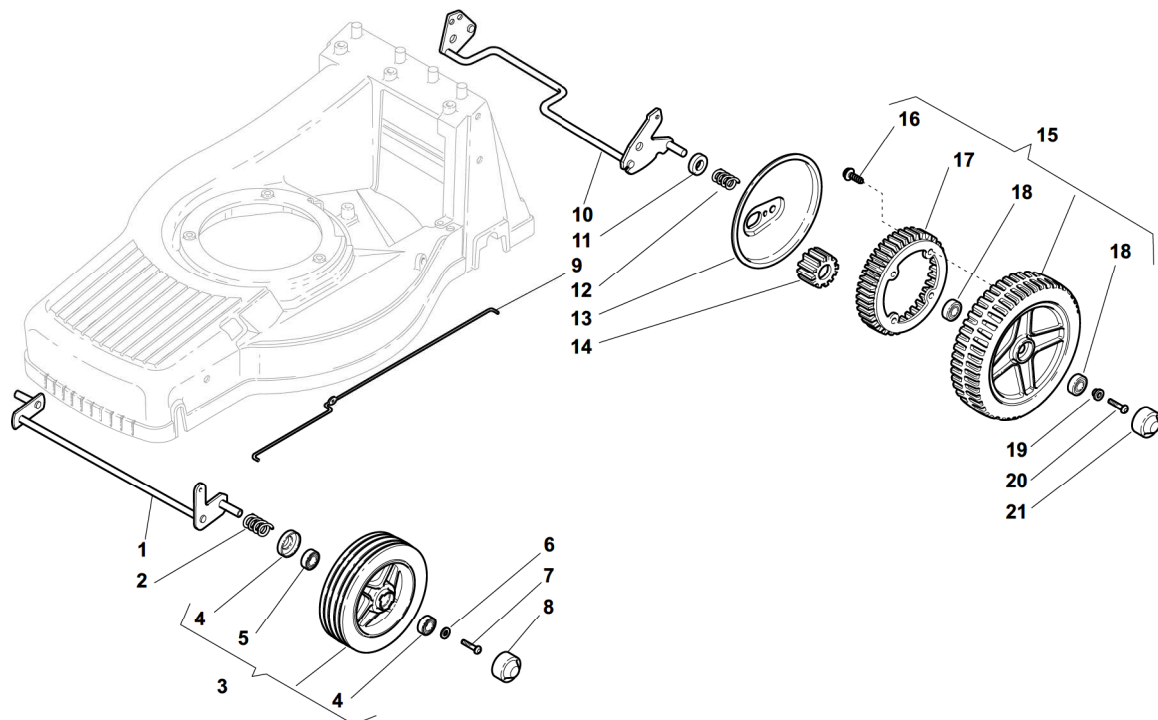
56\_015

1 / 1



POS.	CODE	Q.TY	DESCRIZIONE	DESCRIPTION	DESCRIPTION	BESCHREIBUNG	REMARKS
1	81002817/0	1	Asse Ruote Anteriore	Axle, Front Wheels	Axe Roues Avant	Achse, Vorderrad	454
1	81002821/0	1	Asse Ruote Anteriore	Axle, Front Wheels	Axe Roues Avant	Achse, Vorderrad	504
1	81002825/0	1	Asse Ruote Anteriore	Axle, Front Wheels	Axe Roues Avant	Achse, Vorderrad	554
2	22430210/0	2	Molla	Spring	Ressort	Feder	
3	81007363/0	2	Ruota Ø 175	Wheel Ø 175	Roue Ø 175	Rad Ø 175	
4	22160522/0	2	Disco Parapolvere	Dust Cover	Protege-Poussiere	Staubschuttscheibe	
5	19216039/0	4	Cuscinetto	Bearing	Coussinet	Lager	
6	12521460/0	2	Rosetta	Washer	Rondelle	Scheibe	
7	12735662/0	2	Vite	Screw	Vis	Schraube	
8	22110379/0	2	Coprismozzo	Hub Cap	Couvre-Moyeu	Radkappe	
9	22033321/0	1	Asta Comando Regol.	Rod, Height Adjustment Control	Tige Commande Reglage Hauteur	Stange, Höheverstellung	454
9	22033322/0	1	Asta Comando Regol.	Rod, Height Adjustment Control	Tige Commande Reglage Hauteur	Stange, Höheverstellung	504
9	22033323/0	1	Asta Comando Regol.	Rod, Height Adjustment Control	Tige Commande Reglage Hauteur	Stange, Höheverstellung	554
10	81002819/0	1	Asse Ruote Posteriore	Axle, Rear Wheels	Axe Roues Arriere	Achse, Hinterrad	454
10	81002823/0	1	Asse Ruote Posteriore	Axle, Rear Wheels	Axe Roues Arriere	Achse, Hinterrad	504 - 554
11	22170810/0	2	Distanziale	Spacer	Entretoise	Distanzring	
12	22430215/0	2	Molla	Spring	Ressort	Feder	
13	22600127/0	2	Prot. Ruote	Protection, Wheel	Protection Roue	Schütz, Räder	
14	22570126/0	2	Pignone	Pinion	Pignon	Ritzel	
15	81007367/0	2	Ruota Ø 205	Wheel Ø 205	Roue Ø 205	Rad Ø 205	454 - 504
15	81007368/0	2	Ruota Ø 215	Wheel Ø 215	Roue Ø 215	Rad Ø 215	554
16	12728210/0	8	Vite	Screw	Vis	Schraube	
17	22120108/0	2	Corona Trascinamento	Ring Gear	Couronne	Kranz	
18	19216038/0	4	Cuscinetto	Bearing	Coussinet	Lager	
19	22671655/0	2	Rosetta	Washer	Rondelle	Scheibe	
20	12735592/0	2	Vite	Screw	Vis	Schraube	
21	22110380/0	2	Coprismozzo	Hub Cap	Couvre-Moyeu	Radkappe	

<b>TU</b>					2009
<b>454</b>	<b>504</b>				<b>56_016</b>
<b>TR</b>	<b>TR-E</b>	<b>TR 4S</b>	<b>TR-E 4S</b>		1 / 1



POS.	CODE	Q.TY	DESCRIZIONE	DESCRIPTION	DESCRIPTION	BESCHREIBUNG	REMARKS
1	81002827/0	1	Asse Ruote Anteriore	Axle, Front Wheels	Axe Roues Avant	Achse, Vorderrad	504
1	81002817/0	1	Asse Ruote Anteriore	Axle, Front Wheels	Axe Roues Avant	Achse, Vorderrad	454
1	81002829/0	1	Asse Ruote Anteriore	Axle, Front Wheels	Axe Roues Avant	Achse, Vorderrad	554
2	22430210/0	2	Molla	Spring	Ressort	Feder	
3	381007384/0	2	Ruota Ø 190	Wheel Ø 190	Roue Ø 190	Rad Ø 190	
4	22160522/0	2	Disco Parapolvere	Dust Cover	Protege-Poussiere	Staubschuttscheibe	
5	19216039/0	4	Cuscinetto	Bearing	Coussinet	Lager	
6	12521460/0	2	Rosetta	Washer	Rondelle	Scheibe	
7	12735662/0	2	Vite	Screw	Vis	Schraube	
8	22110379/0	2	Coprimozzo	Hub Cap	Couvre-Moyeu	Radkappe	
8	22033321/0	1	Asta Comando Regol.	Rod, Height Adjustment Control	Tige Commande Reglage Hauteur	Stange, Höheverstellung	454
9	22033322/0	1	Asta Comando Regol.	Rod, Height Adjustment Control	Tige Commande Reglage Hauteur	Stange, Höheverstellung	504
9	22033324/0	1	Asta Comando Regol.	Rod, Height Adjustment Control	Tige Commande Reglage Hauteur	Stange, Höheverstellung	554
10	81002823/0	1	Asse Ruote Posteriore	Axle, Rear Wheels	Axe Roues Arriere	Achse, Hinterrad	
11	22170810/0	2	Distanziale	Spacer	Entretoise	Distanzring	
12	22430215/0	2	Molla	Spring	Ressort	Feder	
13	22600127/0	2	Prot. Ruote	Protection, Wheel	Protection Roue	Schütz, Räder	
14	22570126/0	2	Pignone	Pinion	Pignon	Ritzel	
15	81007367/0	2	Ruota Ø 205	Wheel Ø 205	Roue Ø 205	Rad Ø 205	454 - 504
15	81007368/0	2	Ruota Ø 215	Wheel Ø 215	Roue Ø 215	Rad Ø 215	554
16	12728210/0	8	Vite	Screw	Vis	Schraube	
17	22120108/0	2	Corona Trascinamento	Ring Gear	Couronne	Kranz	
18	19216038/0	4	Cuscinetto	Bearing	Coussinet	Lager	
19	22671655/0	2	Rosetta	Washer	Rondelle	Scheibe	
20	12735592/0	2	Vite	Screw	Vis	Schraube	
21	22110380/0	2	Coprimozzo	Hub Cap	Couvre-Moyeu	Radkappe	



TU

454

504

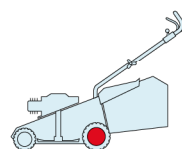
554

TR

TR-E

TR 4S

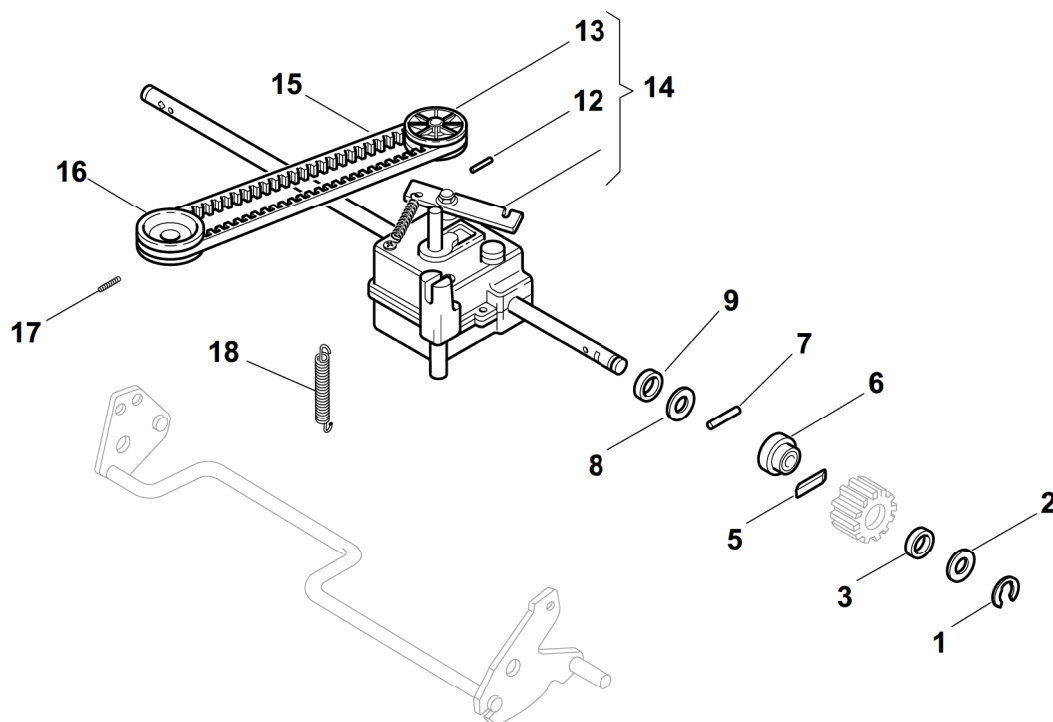
TR-E 4S



2009

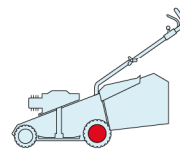
56\_017

1 / 1

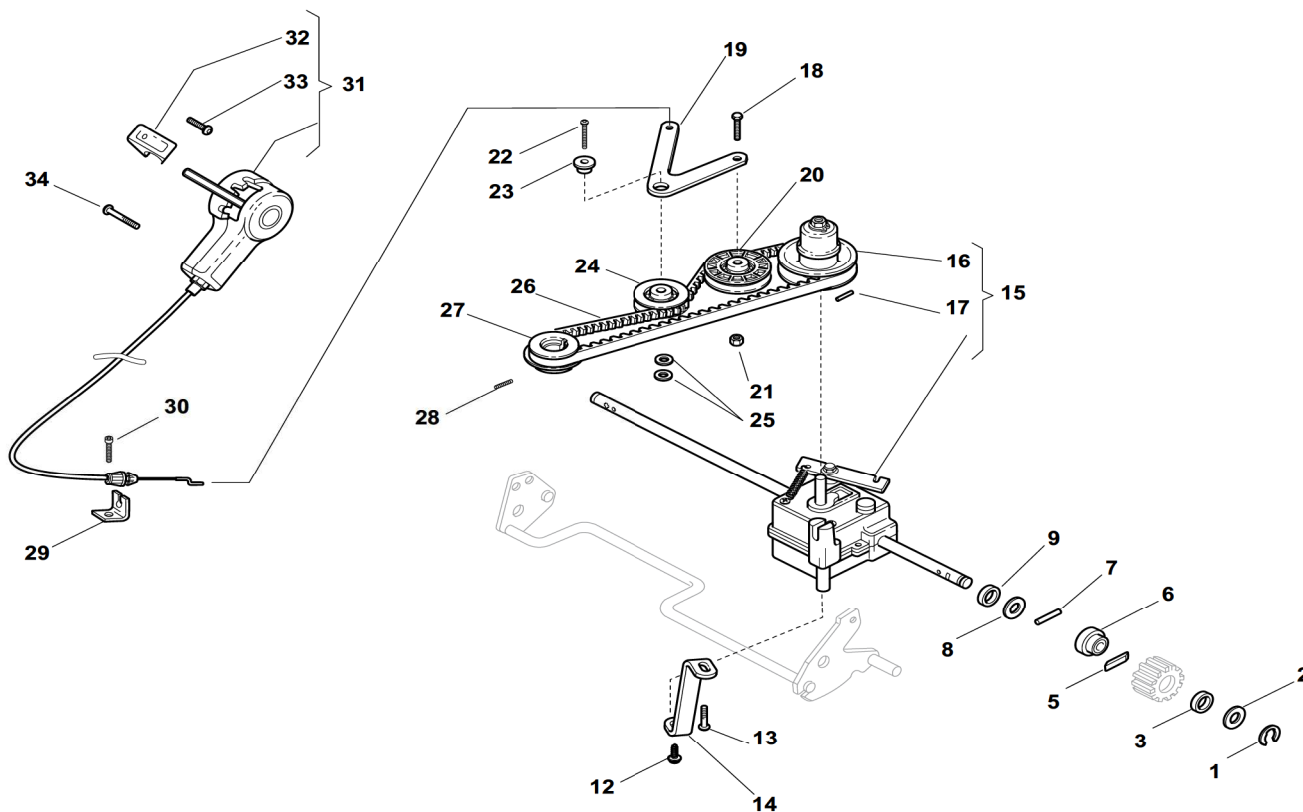


POS.	CODE	Q.TY	DESCRIZIONE	DESCRIPTION	DESCRIPTION	BESCHREIBUNG	REMARKS
1	12000957/0	2	Anello Benzing	Benzing	Anneau Benzing	Benzing	
2	12520032/0	2	Rosetta	Washer	Rondelle	Scheibe	
3	22160520/0	2	Disco Parapolvere	Dust Cover	Protege-Poussiere	Staubschuttscheibe	
5	22076645/0	2	Chiave	Key	Clef	Schlüssel	
6	22170630/0	2	Distanziale	Spacer	Entretoise	Distanzring	
7	22753002/0	2	Spina	Pin	Goupille	Stift	
8	12520032/0	2	Rosetta	Washer	Rondelle	Scheibe	
9	19035152/0	2	Anello Or	Or Ring	Bague Or	Ring Or	
12	12620310/0	1	Spina	Pin	Goupille	Stift	
13	22601913/0	1	Puleggia	Pulley	Poulie	Riemenscheibe	
14	81003084/0	1	Gruppo Trazione	Gear Box	Groupe Traction	Antrieb	454
14	81003085/0	1	Gruppo Trazione	Gear Box	Groupe Traction	Antrieb	504 - 554
15	35063173/0	1	Cinghia Lp 730	Belt Lp 730	Courroire Lp 730	Riemen Lp 730	454
15	35063175/0	1	Cinghia Lp 750	Belt Lp 750	Courroire Lp 750	Riemen Lp 750	504
15	35064383/0	1	Cinghia Lp 837	Belt Lp 837	Courroire Lp 837	Riemen Lp 837	554
16	22601918/0	1	Puleggia, Albero Motore Ø 22.2	Pulley, Crankshaft Ø 22.2	Poulie, Arbre Moteur Ø 22.2	Riemenscheibe, Motorwelle Ø 22.2	
16	122601921/0	1	Puleggia, Albero Motore Ø 25	Pulley, Crankshaft Ø 25	Poulie, Arbre Moteur Ø 25	Riemenscheibe, Motorwelle Ø 25	
17	12714312/0	1	Grano	Dowel	Grain	Stift	
18	22450434/0	1	Molla	Spring	Ressort	Feder	

<b>TU</b>			
<b>454</b>	<b>504</b>	<b>554</b>	
<b>TR</b>	<b>TR-E</b>	<b>TR 4S</b>	<b>TR-E 4S</b>

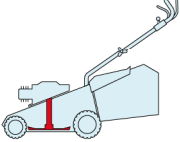


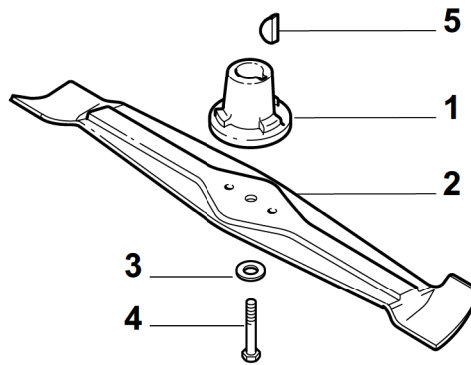
2009
<b>56_018</b>
1 / 2



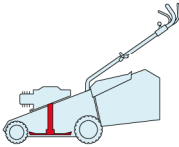
POS.	CODE	Q.TY	DESCRIZIONE	DESCRIPTION	DESCRIPTION	BESCHREIBUNG	REMARKS
1	12000957/0	2	Anello Benzing	Benzing	Anneau Benzing	Benzing	
2	12520032/0	2	Rosetta	Washer	Rondelle	Scheibe	
3	22160520/0	2	Disco Parapolvere	Dust Cover	Protege-Poussiere	Staubschuttscheibe	
5	22076645/0	2	Chiave	Key	Clef	Schlüssel	
6	22170630/0	2	Distanziale	Spacer	Entretoise	Distanzring	
7	22753002/0	2	Spina	Pin	Goupille	Stift	
8	12520032/0	2	Rosetta	Washer	Rondelle	Scheibe	
8	12520032/0	2	Rosetta	Washer	Rondelle	Scheibe	
9	19035152/0	2	Anello Or	Or Ring	Bague Or	Ring Or	
12	12728300/0	1	Vite	Screw	Vis	Schraube	
13	12735664/0	1	Vite	Screw	Vis	Schraube	
14	22778407/0	1	Supporto	Support	Support	Halter	454 - 554
14	22778409/0	1	Supporto	Support	Support	Halter	504
15	81003090/0	1	Gruppo Trazione	Gear Box	Groupe Traction	Antrieb	454
15	81003086/0	1	Gruppo Trazione	Gear Box	Groupe Traction	Antrieb	504 - 554
16	22601916/0	1	Puleggia	Pulley	Poulie	Riemenscheibe	
17	12645700/0	1	Spina Elastica	Pin	Goupille	Stift	
18	12674550/0	1	Vite	Screw	Vis	Schraube	
19	22320001/0	1	Leva Trazione	Driving Lever	Levier Traction	Antriebhebel	454 - 504
19	22320003/0	1	Leva Trazione	Driving Lever	Levier Traction	Antriebhebel	554
20	22601914/0	1	Puleggia	Pulley	Poulie	Riemenscheibe	
21	12154510/0	1	Dado	Nut	Ecrou	Mutter	
22	12735669/0	1	Vite	Screw	Vis	Schraube	
23	22671656/0	1	Rondella	Washer	Rondelle	Scheibe	
24	22601915/0	1	Puleggia	Pulley	Poulie	Riemenscheibe	

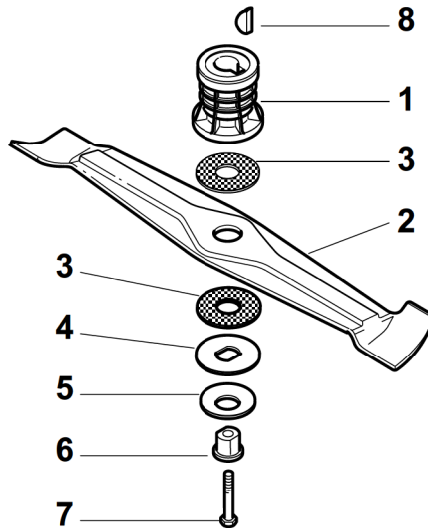
POS.	CODE	Q.TY	DESCRIZIONE	DESCRIPTION	DESCRIPTION	BESCHREIBUNG	REMARKS
25	12523040/0	2	Rosetta	Washer	Rondelle	Scheibe	
26	35064373/0	1	Cinghia Xpz Lp 737	Belt Xpz Lp 737	Courroire Xpz Lp 737	Riemen Xpz Lp 737	454
26	35064378/0	1	Cinghia Xpz Lp 780	Belt Xpz Lp 780	Courroire Xpz Lp 780	Riemen Xpz Lp 780	504
26	35064383/0	1	Cinghia Xpz Lp 837	Belt Xpz Lp 837	Courroire Xpz Lp 837	Riemen Xpz Lp 837	554
27	22601917/0	1	Puleggia, Albero Motore Ø 22.2	Pulley, Crankshaft Ø 22.2	Poulie, Arbre Moteur Ø 22.2	Riemenscheibe, Motorwelle Ø 22.2	
27	122601920/0	1	Puleggia, Albero Motore Ø 25	Pulley, Crankshaft Ø 25	Poulie, Arbre Moteur Ø 25	Riemenscheibe, Motorwelle Ø 25	
28	12714312/0	1	Grano	Dowel	Grain	Stift	
29	22806619/0	1	Supporto	Support	Support	Halter	
30	12735664/0	1	Vite	Screw	Vis	Schraube	
31	81007096/0	1	Cavo Comando Marce	Cable, Speed Drive Control	Cable, Comm. Change-ment Vitesse	Kabel, Gängeschaltun	454
31	81007097/0	1	Cavo Comando Marce	Cable, Speed Drive Control	Cable, Comm. Change-ment Vitesse	Kabel, Gängeschaltun	504
31	81007098/0	1	Cavo Comando Marce	Cable, Speed Drive Control	Cable, Comm. Change-ment Vitesse	Kabel, Gängeschaltun	554
32	22399809/0	1	Manopolina	Knob	Poignée	Griff	
33	12728300/0	2	Vite	Screw	Vis	Schraube	
34	12728702/0	2	Vite	Screw	Vis	Schraube	

<b>TU</b>					2009
<b>454</b>	<b>504</b>	<b>554</b>			<b>56_019</b>
<b>TR</b>	<b>TR-E</b>	<b>TR 4S</b>	<b>TR-E 4S</b>		1 / 1



POS.	CODE	Q.TY	DESCRIZIONE	DESCRIPTION	DESCRIPTION	BESCHREIBUNG	REMARKS
1	22465618/0	1	Mozzo, Albero Motore Ø 22.2	Hub, Crankshaft Ø 22.2	Moyeu, Arbre Moteur Ø 22.2	Halter, Motorwelle Ø 22.2	
1	122465630/0	1	Mozzo, Albero Motore Ø 25	Hub, Crankshaft Ø 25	Moyeu, Arbre Moteur Ø 25	Halter, Motorwelle Ø 25	
2	81004131/0	1	Coltello	Blade	Lame	Messer	454
2	81004143/0	1	Coltello	Blade	Lame	Messer	504
2	81004144/0	1	Coltello	Blade	Lame	Messer	554
3	12530140/0	1	Rosetta	Washer	Rondelle	Scheibe	
4	12735698/0	1	Vite	Screw	Vis	Schraube	
5	12139100/0	1	Linguetta, Albero Motore Ø 22.2	Feather, Crankshaft Ø 22.2	Clavette, Arbre Moteur Ø 22.2	Keil, Motorwelle Ø 22.2	
5	12139150/0	1	Linguetta, Albero Motore Ø 25	Feather, Crankshaft Ø 25	Clavette, Arbre Moteur Ø 25	Keil, Motorwelle Ø 25	

<b>TU</b>					2009
<b>454</b>	<b>504</b>	<b>554</b>	<b>56_020</b>		
<b>TR</b>	<b>TR-E</b>	<b>TR 4S</b>	<b>TR-E 4S</b>		1 / 1



POS.	CODE	Q.TY	DESCRIZIONE	DESCRIPTION	DESCRIPTION	BESCHREIBUNG	REMARKS
1	22465619/0	1	Mozzo Con Puleggia, Albero Motore Ø 22.2	Hub With Pulley, Crankshaft Ø 22.2	Moyeu Avec Poulie, Arbre Moteur Ø 22.2	Nabe Mit Scheibe, Motorwelle Ø 22.2	
1	122465631/0	1	Mozzo Con Puleggia, Albero Motore Ø 25	Hub With Pulley, Crankshaft Ø 25	Moyeu Avec Poulie, Arbre Moteur Ø 25	Nabe Mit Scheibe, Motorwelle Ø 25	
1	122465636/0	1	Mozzo Con Puleggia, Albero Motore Ø 22.2	Hub With Pulley, Crankshaft Ø 22.2	Moyeu Avec Poulie, Arbre Moteur Ø 22.2	Nabe Mit Scheibe, Motorwelle Ø 22.2	AVS
1	122465637/0	1	Mozzo Con Puleggia, Albero Motore Ø 25	Hub With Pulley, Crankshaft Ø 25	Moyeu Avec Poulie, Arbre Moteur Ø 25	Nabe Mit Scheibe, Motorwelle Ø 25	AVS
2	81004132/0	1	Coltello Alettato	Blade Winged	Lame Ailetteé	Messer Flügel	454
2	81004135/0	1	Coltello Alettato	Blade Winged	Lame Ailetteé	Messer Flügel	504
2	81004134/0	1	Coltello Alettato	Blade Winged	Lame Ailetteé	Messer Flügel	554
3	22672111/0	2	Rondella Frizione	Clutch Washer	Rondelle Friction	Kupplungscheibe	
4	22672105/0	1	Rosetta	Washer	Rondelle	Scheibe	
5	12508120/0	1	Molla A Tazza	Cupped Spring	Ressort	Teller Feder	
6	22041940/0	1	Bussola Frizione	Clutch Bush	Douille Friction	Kupplungsscheibe	
7	12736850/0	1	Vite	Screw	Vis	Schraube	
7	12736850/0	1	Vite	Screw	Vis	Schraube	AVS
8	12139100/0	1	Linguetta, Albero Motore Ø 22.2	Feather, Crankshaft Ø 22.2	Clavette, Arbre Moteur Ø 22.2	Keil, Motorwelle Ø 22.2	
8	12139150/0	1	Linguetta, Albero Motore Ø 25	Feather, Crankshaft Ø 25	Clavette, Arbre Moteur Ø 25	Keil, Motorwelle Ø 25	

TU

454

504

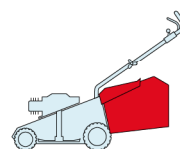
554

TR

TR-E

TR 4S

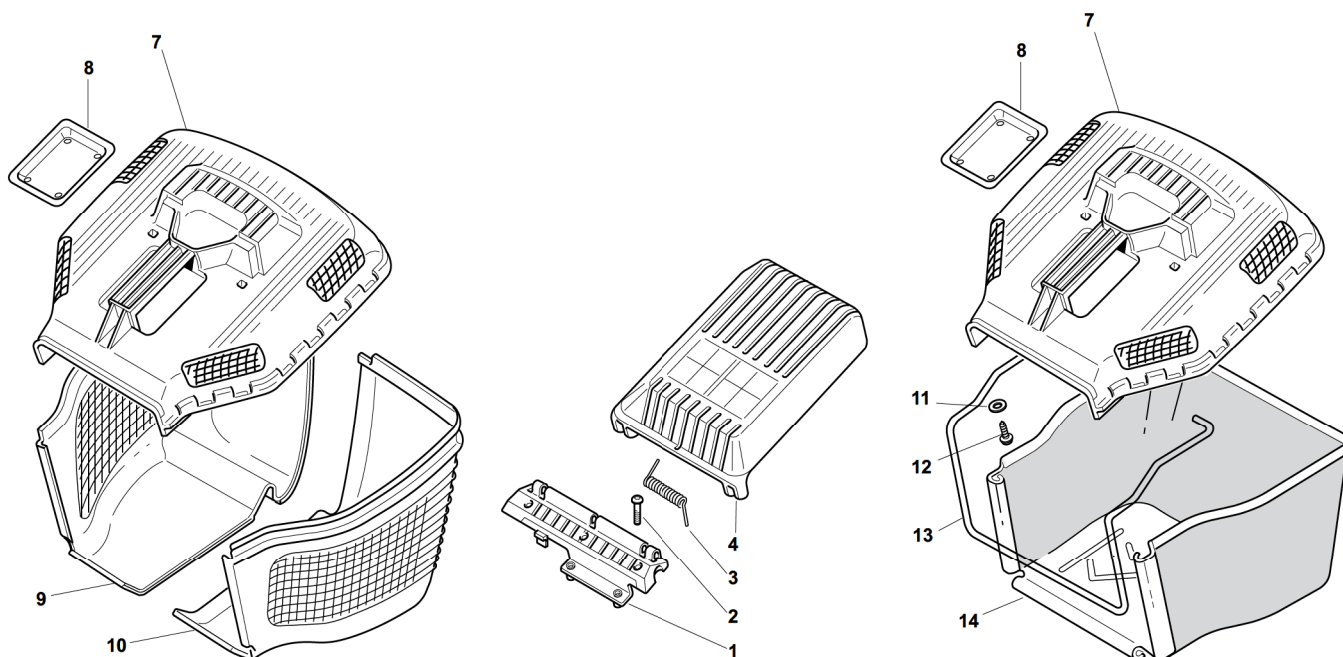
TR-E 4S



2009

56\_021

1 / 1



POS.	CODE	Q.TY	DESCRIZIONE	DESCRIPTION	DESCRIPTION	BESCHREIBUNG	REMARKS
1	22785178/0	1	Supporto, Nero	Support, Black	Support, Noir	Halter, Schwarz	454
1	22785156/0	1	Supporto, Giallo	Support, Yellow	Support, Jaune	Halter, Gelb	454
1	22785179/0	1	Supporto, Nero	Support, Black	Support, Noir	Halter, Schwarz	504-554
1	22785157/0	1	Supporto, Giallo	Support, Yellow	Support, Jaune	Halter, Gelb	504-554
2	12735664/0	3	Vite	Screw	Vis	Schraube	
3	22450443/0	1	Molla	Spring	Ressort	Feder	
4	22600079/0	1	Parasassi, Nero	Stone-Guard, Black	Pare-Pierres, Noir	Prallblech, Schwarz	454
4	22600080/0	1	Parasassi, Giallo	Stone-Guard, Yellow	Pare-Pierres, Jaune	Prallblech, Gelb	454
4	22600068/1	1	Parasassi, Nero	Stone-Guard, Black	Pare-Pierres, Noir	Prallblech, Schwarz	504-554
4	22600069/1	1	Parasassi, Giallo	Stone-Guard, Yellow	Pare-Pierres, Jaune	Prallblech, Gelb	504-554
7	22486115/0	1	Sacco, Parte Sup	Grass-Box, Upper Part	Sac, Partie Superieure	Korb, Oberteil	454
7	22486095/0	1	Sacco, Parte Sup	Grass-Box, Upper Part	Sac, Partie Superieure	Korb, Oberteil	504-554
8	22486098/0	1	Piastrina	Plate	Plaquette	Plättchen	
9	22486120/0	1	Sacco, Parte Inf Dx	Grass-Box, R Lower	Sac, Partie Inferieure D	Korb, R Unterteil	454
9	22486099/0	1	Sacco, Parte Inf Dx	Grass-Box, R Lower	Sac, Partie Inferieure D	Korb, R Unterteil	504-554
10	22486119/0	1	Sacco, Parte Inf Sx	Grass-Box, L Lower	Sac, Partie Inferieure G	Korb, L Unterteil	454
10	22486100/0	1	Sacco, Parte Inf Sx	Grass-Box, L Lower	Sac, Partie Inferieure G	Korb, L Unterteil	504-554
11	12521460/0	2	Rosetta	Washer	Rondelle	Scheibe	
12	12728300/0	2	Vite	Screw	Vis	Schraube	
13	22608518/0	1	Rinforzo Inf	Stiffening Lower	Réinforcement Inf	Verstärkung Untere	454
13	22608528/0	1	Rinforzo Inf	Stiffening Lower	Réinforcement Inf	Verstärkung Untere	504-554
14	81002239/0	1	Sacco, Tela	Box, Fabric	Sac, Toile	Sack, Tuck	454
14	81002235/0	1	Sacco, Tela	Box, Fabric	Sac, Toile	Sack, Tuck	504-554